

MODEL NO'S.

- **WD1414**
- **WD1034**
- **WD1406**
- **WD1384**
- **WD1042**

- Phillips head screwdriver is only tool required
- By shipping this product to you unassembled, freight costs are greatly reduced

A

- Set up side panels **B** and **C** parallel to each other with the square face to front.
- Slide front panel **D** into notch on both side panels simultaneously.
- Slide black spacer bar **E** into U-shaped holes at bottom of side panels.

B

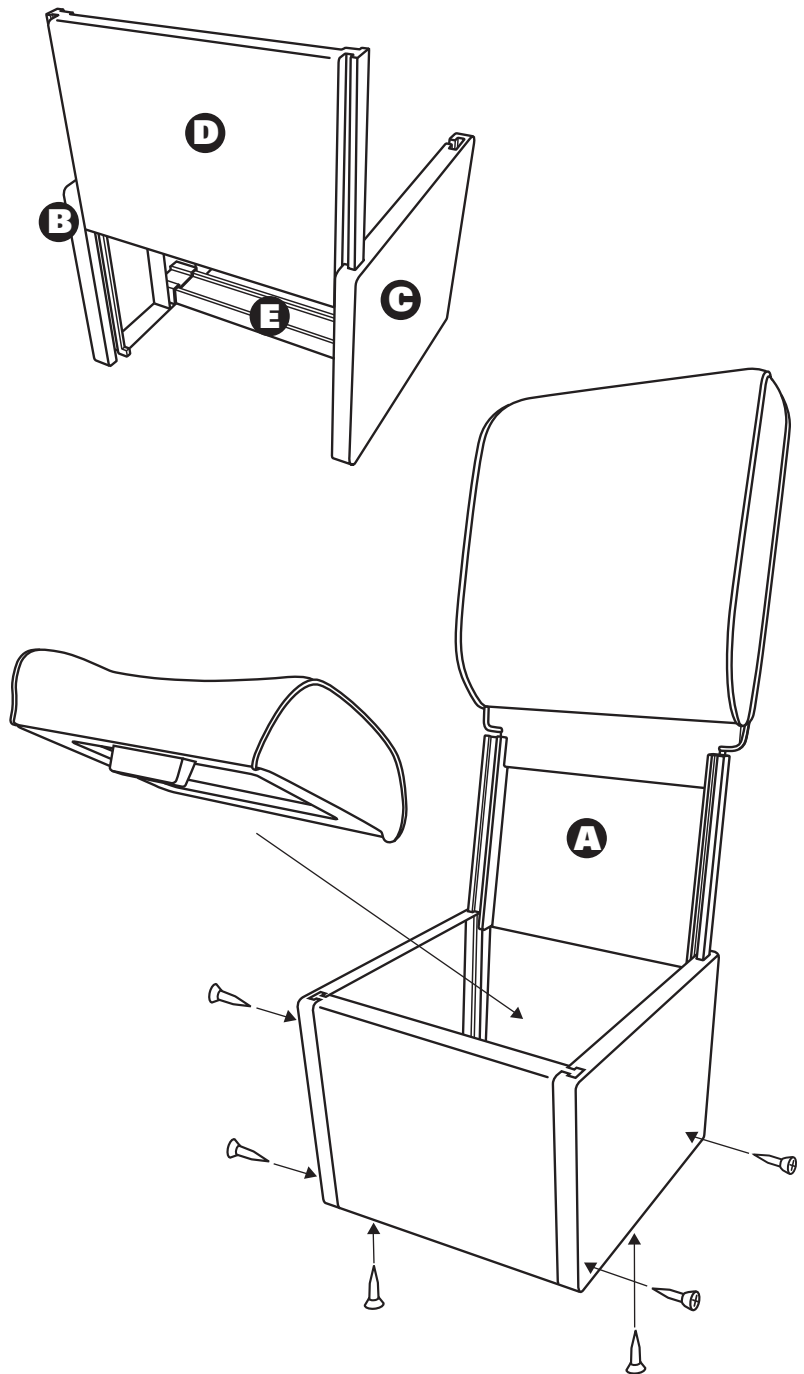
- Slide back rest **A** downward into notches at rear of base.

C

- Attach 4 screws into bottom side corners of base through pre-drilled holes, one in each corner.
- Attach 2 screws through base bottom into black spacer bar

D

- Snap seat cushion down onto base with black square to front.



**Questions? Missing Parts?
Call 1.800.334.6541**

Above items are not manufactured
for commercial use.