

ROCKSOLID™ Installation Instructions Model #1868

The hitch insert bracket and lift bracket shown can be used to mount the RockSolid to any 2" hitch. The bracket slips under the hitch insert, (the insert has the ball mounted to it) and using a three piece 76"x1"x1" steel angle assembly (included), the unit can be mounted to the hitch insert for easy removal and installation.

Frame Parts

2 - 34" X 18" X .375" Rubber Guards
for: RockSolid Model #1868

2 - 28" Pre-Drilled Steel Angle End
Support Bars

(#1 and #3 in g.1)

1 - 34" Pre-Drilled Steel Angle Center
Support Bar (#2 in g.1)

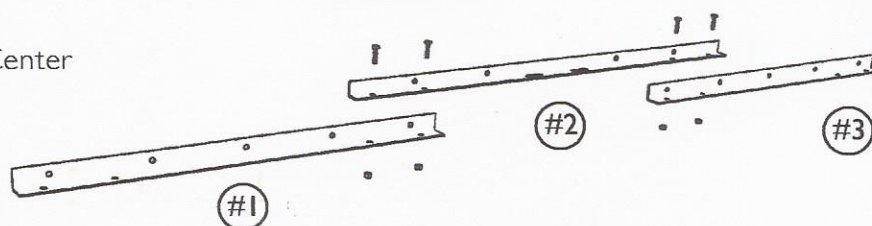
1 - Hitch Insert Bracket

Tools Needed

7/16" Socket and Wrench

1/2" Socket and Wrench

Figure 1



Assembly view

Components

12 - Fender washers

12 - 1/4"-20-1" Bolts

12 - 1/4" Nuts

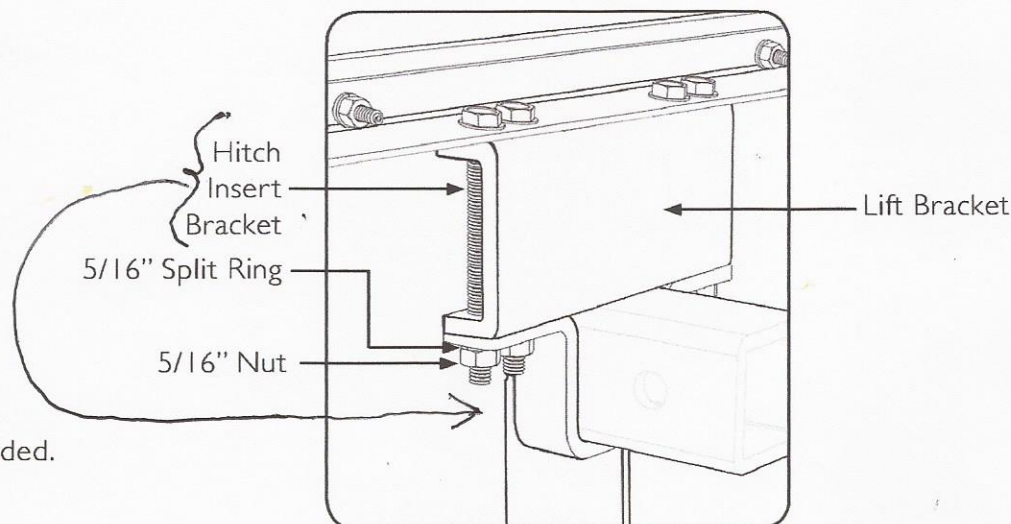
4 - 5/16" Nuts

4 - 5/16" x 5" Bolts

4 - 5/16" Split ring
lock washers

4 - 1/4" X 20 - 3/4" Bolts

4 - 1/4" Nylon insert Locknuts
insert using the 5/16" bolts,
nuts, and lock washers provided.



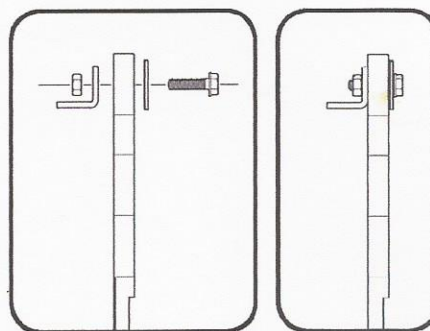
Instructions

1) Using the 3/4" bolts and nylon insert locknuts, assemble the three 1" X 1" steel angle bars as shown in Fig. 1 to make a single 76" bar.

2) Align the pre-drilled holes in the RockSolid with those in the Angled Support Bar.

3) Attach the RockSolid guards to the angle support using the 1/4" - 20 - 1" nuts, bolts, and fender washers provided.

4) Mount the assembled unit to the hitch insert and lift bracket using the 5/16" bolts, nuts, and lock washers provided.



Side Assembly View: Installing the RockSolid guards to the support bar using the set of 10, 1/4"-20-1" nuts and fender washers and bolts.