



4330 S. Johnson Rd. - Chanute, KS 66720
800-837-8578
info@popuphitch.com

Installation Instructions

Flip-Over Model 227 Chevrolet / GMC

Fits 2012 - 2016 (2WD & 4WD)
1500 (1/2 ton only)



www.popuphitch.com

FOR THE SAFEST INSTALLATION

11/15

WARNING Most pick up trucks have **FUEL LINES** and/or **BRAKE LINES** and/or **ELECTRICAL WIRING** positioned along the truck framerails where your under-bed hitch will install. **BEFORE INSTALLATION** identify and examine the location of fuel lines, brake lines and electrical wires. Be sure you will not damage fuel lines, brake lines or electrical wiring when positioning the hitch components, drilling holes or tightening fasteners. **Be Certain To Avoid Fuel Tanks When Drilling Holes.**

- Wear Safety Glasses, Gloves and Particle Mask for protection while installing a under-bed gooseneck hitch.
- ALWAYS correctly chock tires prior to raising truck with jacking device. For protection ALWAYS use jack stands when working under or around a truck which has been raised by a jacking device.
- Be certain the exhaust system is cool prior to installation to avoid possible burns from hot tail pipe and muffler.
- Torque ALL fasteners used in the under-bed gooseneck hitch installation as specified in these Installation Instructions.
- **READ ALL SAFETY AND WARNINGS ON THE LAST PAGE OF THE PROVIDED INSTRUCTIONS.**

INSTALLATION PROCEDURE

WARNING: Verify adequate trailer swing clearance between trailer nose and cab of truck, and trailer and rear of truck. READ spray in bed liner warning on last page.

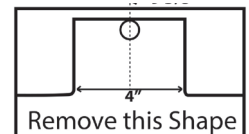
1. Mark and center punch a location from the rear lip of the truck bed centered between the wheel wells for the specific truck the hitch is being installed into, as stated below: (If truck is equipped with a spray in bed liner add the thickness of the bed liner to the hole location measurement before drilling the 3 1/2" hole) **Short Bed Trucks 45-1/4" Long Bed Trucks 49-1/4"** Center a hole in this location using a 3 1/2" hole saw. Smooth the hole with a file and clean all saw tailings from the bed area before proceeding.

2. Remove the spare tire. If using a vehicle hoist, raise the truck at this time. If using a jacking device, always chock the front tires to prevent the truck from rolling. Jacking against the rear bumper or frame, lift the rear of the truck approximately 10". **It is not necessary to lift the rear tires off the ground.** Properly position jack stands under the rear frame of the truck to protect against jack failure.

3. Remove the entire exhaust heat shield or cut and remove the portion between the bed cross members where the hitch will install. Replace any screws used to secure any sections of heat shield not removed.

4. Identify the **Rear Cross Member 1" X 2" bar**. Pass it through the driver side wheel well across the top of the truck frame with the threaded holes nearest the bottom side. Center the Cross Member across the frame rails 3" behind the 3 1/2" hole.

5. To install the **Front Cross Member** it is necessary to cut a notch in the lip above the frame where the inner fender and bed floor join. **Cut and remove a notch as shown in the illustration 4-5/8" ahead of the truck bed cross member that is ahead of the axle where the hitch will install.** Pass the Front Cross Member over the frame through the notch and position across the frame rails with the plain side forward and with the hole side facing the rear of the truck. Use an adjustable wrench to stand the cross angle up with the notches on the truck frame. Center the Cross Member across the frame rails and 6" ahead of the 3 1/2" hole.



6. Fasten the Center Assembly to the Front Cross Member with 1/2" x 1-1/4" bolts. Slide the Rear Cross Member forward and fasten it to the Center Assembly with 1/2" x 1-1/4" bolts, use washers on the slotted holes. **Do not fully tighten these fittings at this time. Square the assembled Cross Members and Center Assembly across the frame from front to back and side to side.**

7. Identify the driver side (with labels) and passenger side Frame Plates. Fasten to the cross bar and angle with flat washers and 1 1/4" bolts and lock nuts. **Do not tighten at this time.**

8. Secure the Frame Plates to the frame with the 4 5/8" u-bolts, two on each side.

INSTALLATION PROCEDURE- CONTINUED

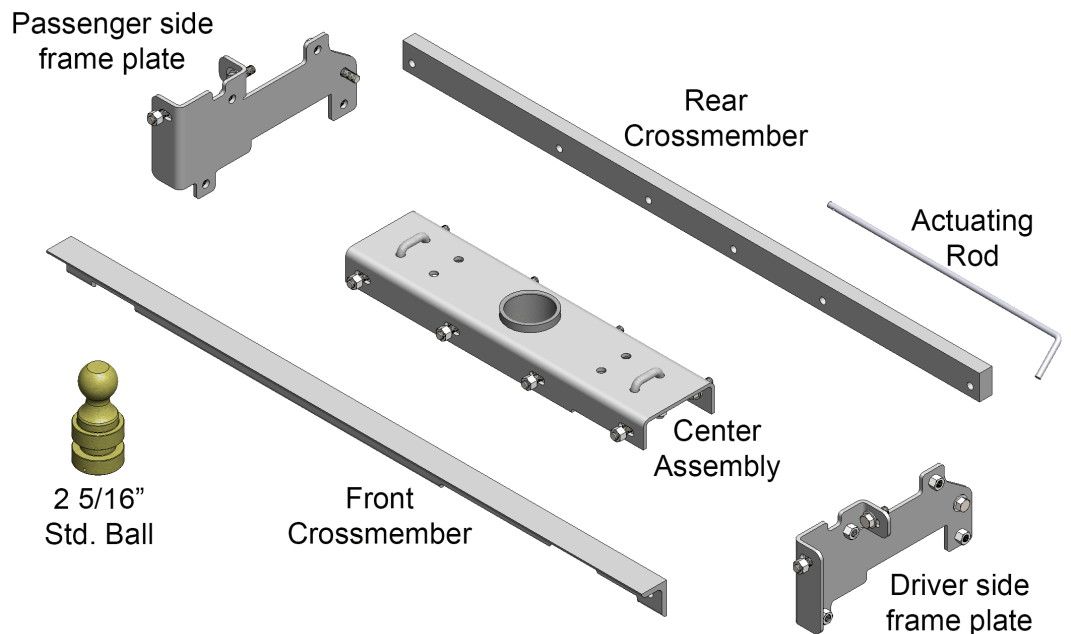
9. Insert the short end (with nut) of the **angle nut bracket** thru the 3/4" slotted hole on the inside of the truck frame. Secure with 1/2" bolt.
10. **Follow the torque specifications, and tighten in the following sequence:** First the Cross Members to Center Assembly, then the Cross Members to the Frame Plates, and last the Frame Plates to the truck frame.
11. Drill four 1/2" holes for the Safety Chain Brackets from under the truck bed. Drill through the two pairs of holes in the Center Assembly that are **nearest to the hitch ball**. Place a U-bolt in each pair of holes from the top side of the bed. From under the bed place a spring and 1/2" nut on each U-bolt leg. **Tighten each nut until thread extends through the nut.**
12. From the drivers side, pass the Actuating Rod through the upper slotted hole between the Frame Plate extensions and into the linkage coupler. Align the Actuating Rod so the set screw seats in the hole provided in the rod, and tighten to **Torque Specifications.**
13. Retract the Retaining Pin by rotating the Actuating Rod 90 degrees counter clockwise. Place the Flip-Over ball in the socket. Rotate the Actuating Rod 90 degrees clockwise to engage the Retaining Pin.
14. Keep the base of the Flip-Over ball lightly lubricated with **lithium grease.**
15. Please read the **SAFE TOWING INSTRUCTIONS** on the WARRANTY sheet. Fill out and return warranty card to us, or go online to www.popuhitch.com and fill out the online version.

Torque Specifications:

1/2" Gr 8 Bolts - 119 ft. lbs
5" U-Bolts - 50 ft. lbs
Actuating rod set screw - 15 ft. lbs.

Hardware Provided

14 - 1/2" X 1-1/4" Grd. 8 Bolts
20 - 1/2" Lock Nuts
12 - 1/2" Flat Washers
2 - Angled Nut Holders
4 - 5-1/4" U-Bolts
2 - Safety Chain U-Bolts
4 - Springs



Please call or email with questions.
Call us at 800-837-8578 or
email us at info@popuhitch.com

Model Number 227
Gross Trailer Weight: 30M lbs.
Gross Trailer Tongue Weight: 7.5M lbs.

Flip-OverTM



READ ALL SAFETY AND WARNINGS BEFORE STARTING THE INSTALL

WARNING AND SAFETY INFORMATION, READ ENTIRELY BEFORE INSTALLATION.

Read all installation and operating instructions along with all labels before using this product.

PopUp Towing's under-bed hitches are standard with a 2-5/16" ball. Make sure the coupler on the trailer is designed for 2-5/16" ball. Using a larger size coupler could cause loss of attachment and cause serious injury.

Do not modify this product in any manner. Doing so could alter the integrity and proper use of the product causing serious damage or injury.

Do not exceed tow or tongue rating of coupler, tow or tongue rating of the hitch, or tow or weight ratings of the truck or trailer. See vehicle and trailer manufacturer information for proper ratings. Exceeding these ratings may cause damage to truck and/or trailer, or possible bodily injury.

Adding components such as a PopUp Towing under-bed gooseneck hitch to the chassis of any vehicle can be hazardous. There is potential for unexpected combustion of fuel, electric shock, burns, shifting or falling of unstable vehicle, damage to vehicle, injury from tool usage and many other hazards. This installation must be completed by someone who is aware of the hazards involved.

Always be sure the ball is properly latched into place while in the up or down position. Before hauling heavy loads make sure that your hitch will clear the truck's differential before hauling a load.

Cab clearance can be an issue with short bed trucks and limits towing on certain trailers. Failure to insure that there is adequate clearance before towing, may result in property damage, or serious injury.

IMPORTANT: The hitch is designed to install only at the location described in the included instructions. Failure to place the ball hole precisely may result in property damage or difficulty during installation.

Failure to follow the bolt tightening sequence and torque settings listed above may result in the hitch being misaligned which could affect the performance of the hitch, or result in property or bodily damage.

PopUp Towing Products assumes no responsibility for injury to self, or damage that may occur during installation. As always its best to have this product installed by an experienced installer.

CAUTION: If your truck is equipped with a spray in bed liner that covers the rear lip of the truck bed, make sure and add the thickness of the bed liner to the hole location measurement before drilling the hole.